

Extra Long Working Distance Objectives

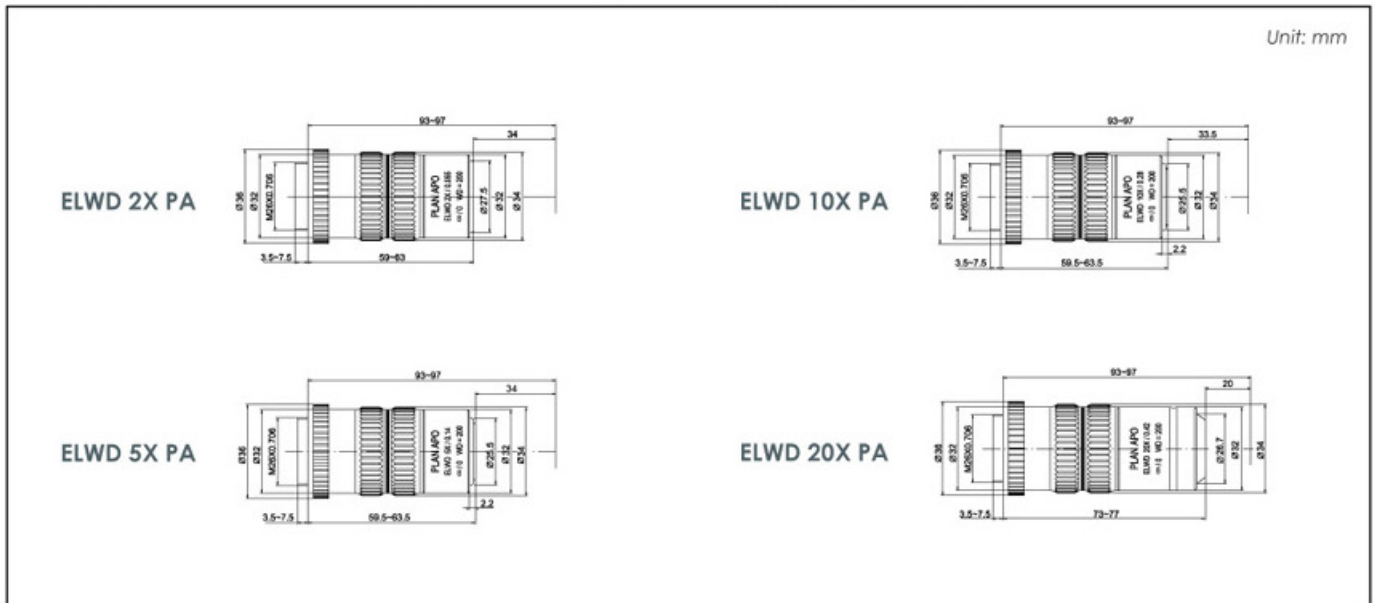
PARFOCALITY ADJUSTABLE PLAN APO ELWD PA

- The unique Motic feature of parfocality adjustability assures smooth transitions between magnifications as a convenient time saving function.
- The infinity corrected and strain-free optical system provides crisp and high contrast images at the numerical apertures and working distance demanded.



ELWD 20X PA
Parfocality Adjustable Objective

Schematic Diagrams of Plan Apochromat ELWD Objectives PA [Parfocality Adjustable]



Specifications Chart Plan Apochromat ELWD Objectives PA [Parfocality Adjustable]

Mag.	N.A	W.D (mm)	F (mm)	R (μm)	D.F (μm)	FOV (mm) (Ø24 eyepiece)	FOV (VxH,mm) (1/2" chip sensor)	FOV (VxH,mm) (2/3" chip sensor)	Weight (g)
ELWD 2X PA	0.055	34.0	100	5.0	91	Ø 12	2.4x3.2	3.3x4.4	270
ELWD 5X PA	0.140	34.0	40	2.0	14	Ø 4.8	0.96x1.28	1.32x1.76	260
ELWD 10X PA	0.280	33.5	20	1.0	3.5	Ø 2.4	0.48x0.64	0.66x0.88	270
ELWD 20X PA	0.420	20.0	10	0.7	1.6	Ø 1.2	0.24x0.32	0.33x0.44	320

Extra Long Working Distance Objectives

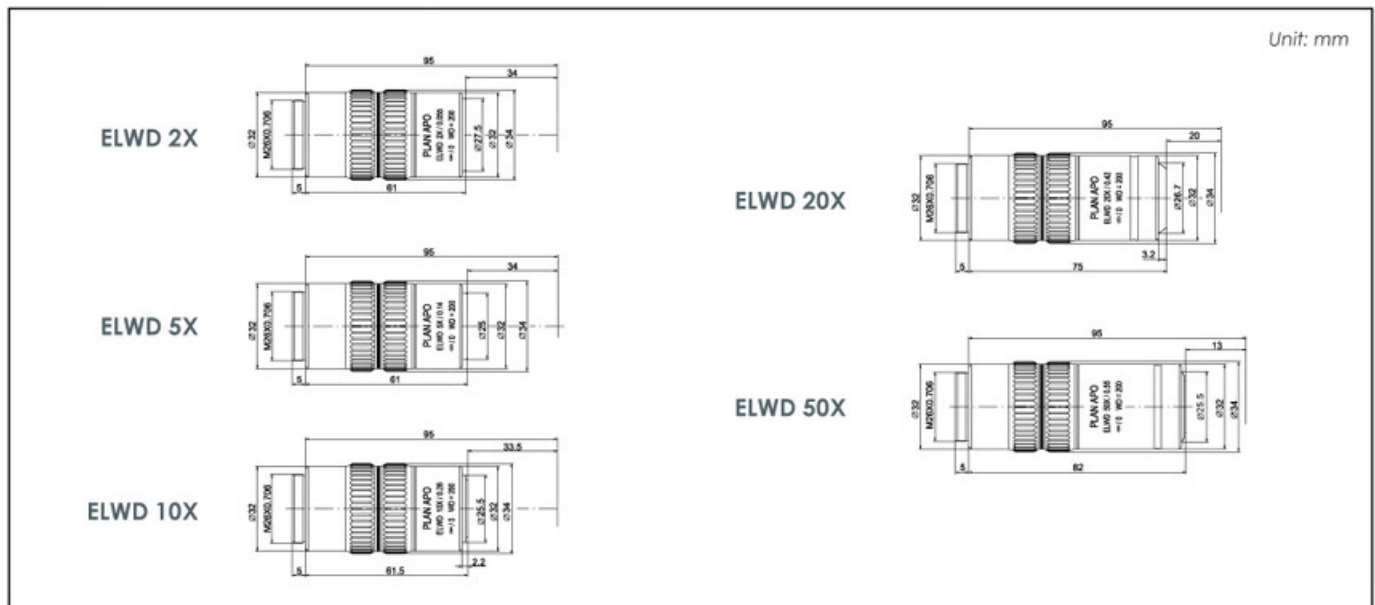
PLAN APO ELWD

- The infinity corrected and strain-free optical system provides crisp and high contrast images at the numerical apertures and working distance demanded.



ELWD 50X
Standard Objective

Schematic Diagrams of Plan Apochromat ELWD Objectives



Specifications Chart Plan Apochromat ELWD Objectives

Mag.	N.A	W.D (mm)	F (mm)	R (μm)	D.F (μm)	FOV (mm) (Ø24 eyepiece)	FOV (VxH,mm) (1/2" chip sensor)	FOV (VxH,mm) (2/3" chip sensor)	Weight (g)
ELWD 2X	0.055	34.0	100	5.0	91	Ø12	2.4x3.2	3.3x4.4	250
ELWD 5X	0.140	34.0	40	2.0	14	Ø 4.8	0.96x1.28	1.32x1.76	240
ELWD 10X	0.280	33.5	20	1.0	3.5	Ø 2.4	0.48x0.64	0.66x0.88	250
ELWD 20X	0.420	20.0	10	0.7	1.6	Ø 1.2	0.24x0.32	0.33x0.44	300
ELWD 50X	0.550	13.0	4	0.5	0.9	Ø 0.48	0.192x0.256	0.264x0.352	320

Extra Long Working Distance Objectives

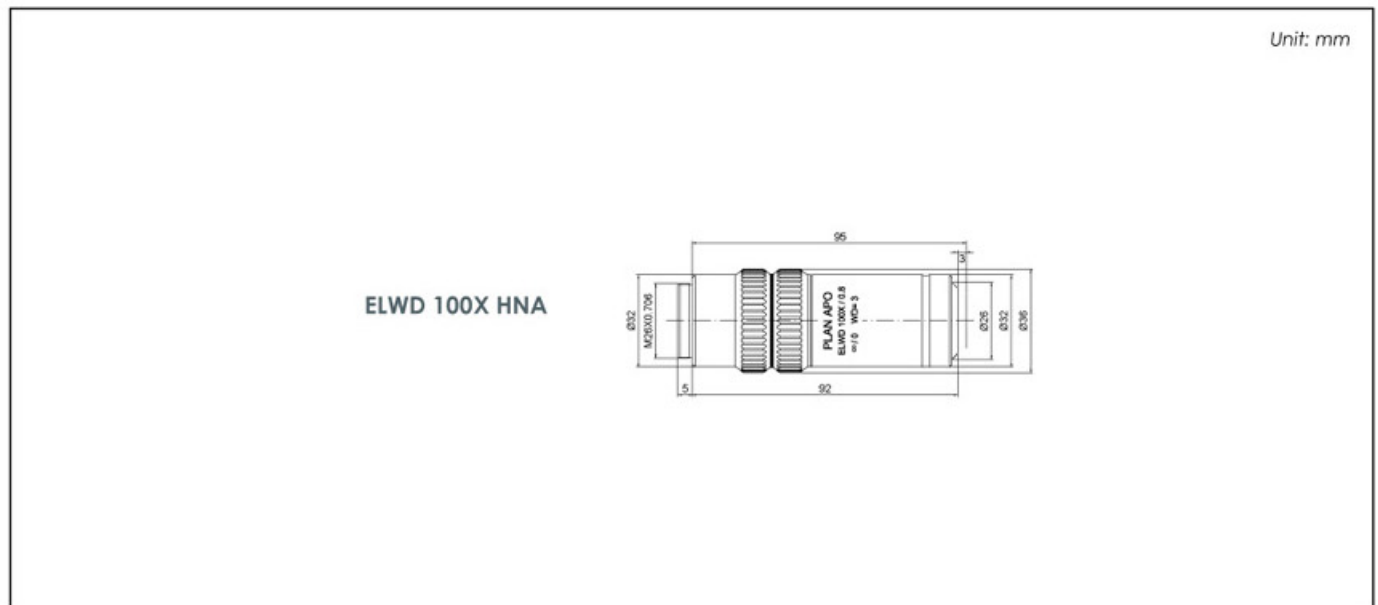
HIGH NUMERICAL APERTURE PLAN APO ELWD HNA

- Constructed for optimum resolution and image clarity, the high numerical aperture extra long Plan Apochromat objective is ideal for applications requiring both working distance and a high numerical aperture.
- The infinity corrected and strain-free optical system provides crisp and high contrast images at the working distance demanded.



ELWD 100X HNA
High Numerical Aperture Objective

Schematic Diagrams of Plan Apochromat ELWD Objective HNA [High Numerical Aperture]



Specifications Chart

Plan Apochromat ELWD Objective HNA [High Numerical Aperture]

Mag.	N.A	W.D (mm)	F (mm)	R (μm)	D.F (μm)	FOV (mm) (Ø24 eyepiece)	FOV (VxH,mm) (1/2" chip sensor)	FOV (VxH,mm) (2/3" chip sensor)	Weight (g)
ELWD 100X HNA	0.800	3.0	2.0	0.34	0.43	Ø 0.24	0.048x0.064	0.066x0.088	450

Ultra Long Working Distance Objectives

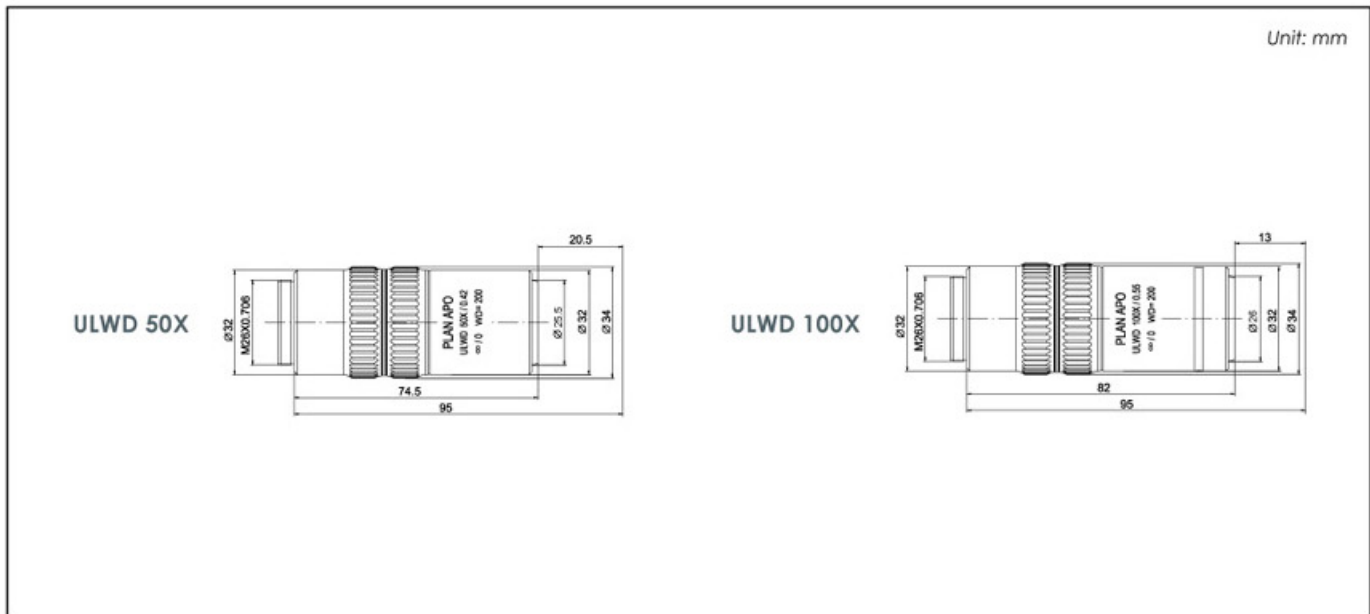
PLAN APO ULWD

- Corrected within the 24mm field of view for all optical aberrations throughout the visible spectrum, the ultra long Plan Apochromat objectives produce flat and true colour images with the extra amount of working distance demanded.



ULWD 100X
Ultra Long Objective

Schematic Diagrams of Plan Apochromat ULWD Objectives



Specifications Chart Plan Apochromat ULWD Objectives

Mag.	N.A	W.D (mm)	F (mm)	R (μm)	D.F (μm)	FOV (mm) (Ø24 eyepiece)	FOV (VxH,mm) (1/2" chip sensor)	FOV (VxH,mm) (2/3" chip sensor)	Weight (g)
ULWD 50X	0.420	20.5	4	0.7	1.6	Ø 0.48	0.10x0.13	0.132x0.176	300
ULWD 100X	0.550	13.0	2	0.5	0.9	Ø 0.24	0.05x0.06	0.066x0.088	340

www.motic.com

Motic®

More Than Microscopy

Motic Incorporation Ltd. (HONG KONG)

Rm 2907-8, Windsor House, 311 Gloucester Road, Causeway Bay, Hong Kong
Tel: 852-2837 0888 Fax: 852-2882 2792

Motic Instruments Inc. (CANADA)

180-4320 Viking Way Richmond, B.C. V6V 2L4 Canada
Tel: 1-877-977 4717 Fax: 1-604-303 9043

Motic Deutschland GmbH (GERMANY)

Gewerbepark Spilburg, Spilburgstrasse 1 D-35578 Wetzlar Germany
Tel: 49-6441-210 010 Fax: 49-6441-210 0122

Motic Spain, S.L. (SPAIN)

Poligon Industrial Les Corts, Camí del Mig, 112 08349 Cabrera de Mar, Barcelona Spain
Tel: 34-93-756 6286 Fax 34-93-756 6287

For inquiries in UK (UK)

Saracens House, 25 St. Margarets Green, Ipswich, IP4 2BN, Suffolk, UK
Tel: 44-(0)-14732 81909 Fax: 44-(0)-14732 11508

Motic Incorporation Limited Copyright © 2002-2007. All Rights Reserved.

Design Change : The manufacturer reserves the right to make changes in instrument design in accordance with scientific and mechanical progress, without notice and without obligation.



Code No: 1300901300442